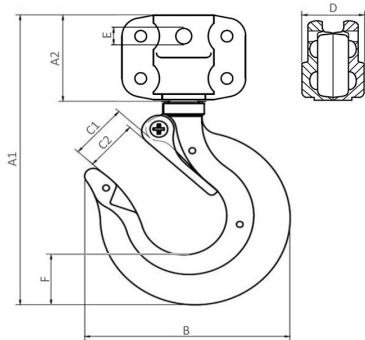


1417061
1517061 (mm)
A1= 212
A2= 66,8
B= 116
C1= 36,5
C2= 34
D= 47,7
E= 12,6
F= 40,5



SVERO

BOTTOM HOOK ASSY, 15, 3000KG

Art nr.1517061

Specifications

Art nr.	1517061
WLL	3000 kg
Brand	SVERO

Momarken 19, 556 50 Jönköping
+46 36 316570 | info@svero.com